

CHANCE® Type RS2875.276 Helical Piles

72 kip Ultimate – 36 kip Allowable Capacity

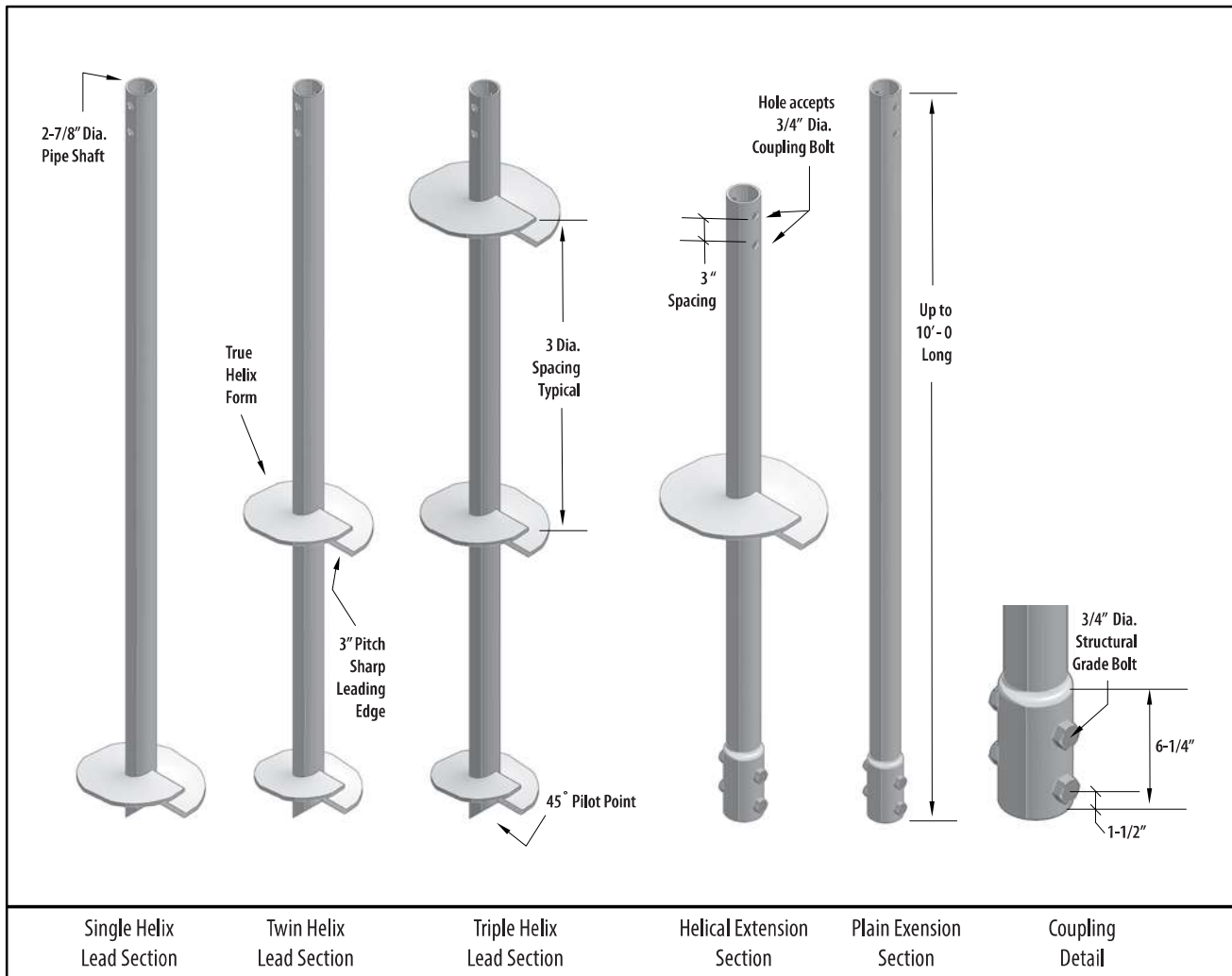
Installation Torque Rating – 8,000 ft-lb

Multi-Purpose 2-7/8" Diameter, 0.276" Wall, Round HSS Shaft with integrally formed upset sockets

Description:

Hubbell Power Systems, Inc., CHANCE Type RS2875.276 Helical Piles have 72 kip ultimate capacity and 36 kip working or allowable capacity in compression or tension. This capacity is based on well documented correlations with installation torque, which is recognized as one method to determine capacity per IBC Section 1810.3.3.1.9. Lead sections and extensions couple together to extend the helix bearing plates to the required load bearing stratum. Round shaft helical piles offer increased lateral and buckling resistance compared to solid square shafts with similar torque strength. Strength calculations are based on a design corrosion level of 50 years for most soil conditions. CHANCE Type RS Helical Piles can be coupled with square shaft lead sections (Combo Piles) to provide greater penetration into bearing soils. CHANCE Type RS Helical Piles and Anchors feature sharpened leading edge helix plates that are circular in plan to provide uniform load bearing in most soil conditions. Helix plates can be equipped with "sea-shell" cuts on the leading edge to enhance penetration through dense soils with occasional cobbles and debris. Custom lengths and helix configurations are available upon request. See below for additional information and other sections of this Technical Manual for specifications and design details.

DRAWINGS AND RATINGS



All Hubbell Power Systems, Inc. CHANCE Helical Products are MADE IN THE U.S.A.

RS2875.276 Helical Pile Specifications & Available Configurations

Shaft – HSS 2-7/8 inch OD x 0.276 inch (schedule 80) wall steel shaft produced exclusively for CHANCE products.

Coupling – forged as an integral part of the plain and helical extension material as around deep sockets connected with multiple structural bolts.

Helix – 3/8 inch Thick: ASTM A656, or A1018 with minimum yield strength of 80 ksi.

3 inch Helix Pitch – a standard established by Hubbell Power Systems, Inc. for CHANCE Helical Piles and Anchors.

Available Helix Diameters: 8, 10, 12, or 14 inches.

All helix plates are spaced 3 times the diameter of the preceding (lower) helix unless otherwise specified.

The standard helix plate has straight sharpened leading edges or can be ordered with a “sea shell” cut. The “sea shell” cut is best suited when it is necessary to penetrate soils with fill debris, cobbles, or fractured rock.

Configurations:

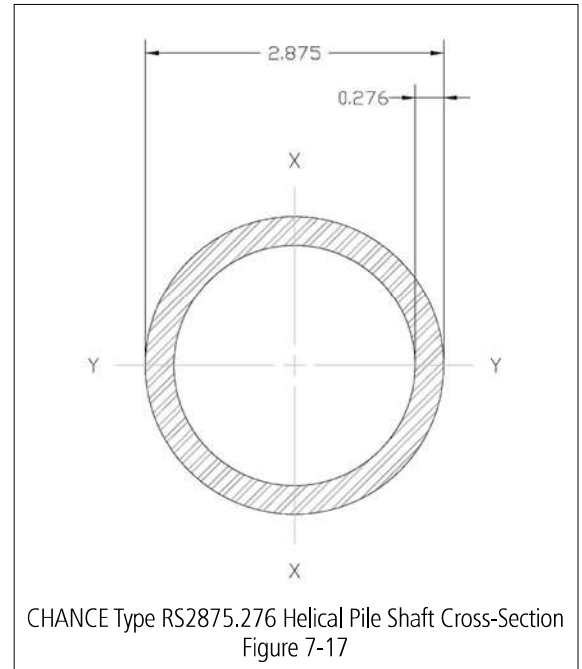
Single, double, and triple and quad helix Lead Sections, 3.5, 5, 7, and 10 feet long

Plain Extensions, 3, 5, 7, and 10 feet long

Extensions with Helix Plates, 3 feet long

Helical products are Hot Dip Galvanized per ASTM A153 Class B-1.

NOTE: Helical piles shall be installed to appropriate depth in suitable bearing stratum as determined by the geotechnical engineer or local jurisdictional authority. Torque correlated capacities are based on installing the pile to its torque rating, using consistent rate of advance and RPM. A minimum factor of safety of 2 is recommended for determining allowable capacity from correlations. Deflections of 0.25 to 0.50 inches are typical at allowable capacity.



Nominal, LRFD Design and ASD Allowable Strengths of RS2875.276 Helix Plates for Shaft Axial Tension and Compression¹

Helix Diameter in (mm)	Thickness in (mm)	Nominal Strength kip (kN)	LRFD Design Strength kip (kN)	ASD Allowable Strength kip (kN)
8 (200)	0.375 (9.5)	121.4 (540.0)	109.3 (486.2)	60.7 (270.0)
10 (250)	0.375 (9.5)	98.9 (439.9)	89.0 (395.9)	49.5 (220.2)
12 (300)	0.375 (9.5)	85.3 (379.4)	76.8 (341.6)	42.7 (189.9)
14 (350)	0.375 (9.5)	53.7 (238.9)	48.3 (214.9)	26.9 (119.7)

For SI: 1 kip = 4.448 kN.

¹Capacities based on a design corrosion level of 50-years.

Nominal and LRFD Design Compression Strengths of CHANCE® Type RS2875.276 Helical Pile Lead & Extension Sections^{1,2}

Section Type & Helix Count	Nominal & LRFD Design Compression Strengths kips (kN)							
	Firm Soil				Soft Soil			
	Fixed		Pinned		Fixed		Pinned	
	Nominal	Design	Nominal	Design	Nominal	Design	Nominal	Design
Lead, Single Helix	92.9 (413.2)	83.6 (371.9)	86.3 (383.9)	77.7 (345.6)	73.9 (328.7)	66.5 (295.8)	55.2 (245.5)	49.7 (221.1)
	See Helix Table Above For Single 12" & 14"				See Helix Table Above For Single 14"			
Lead, Multi-Helix	92.9 (413.2)	83.6 (371.9)	86.3 (383.9)	77.7 (345.6)	73.9 (328.7)	66.5 (295.8)	55.2 (245.5)	49.7 (221.1)
Extension	92.9 (413.2)	83.6 (371.9)	86.3 (383.9)	77.7 (345.6)				

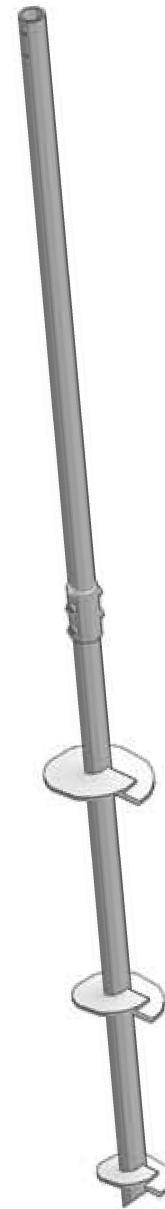
For SI: 1 kip = 4.448 kN.

¹ Refer to Section 4.1.3 of ESR-2794 for descriptions of fixed condition, pinned condition, soft soil and firm soil.

² Strength ratings are based on a design corrosion level of 50-years and presume the supported structure is braced in accordance with IBC Section 1808.2.5, and the lead section with which the extension is used will provide sufficient helix capacity to develop the full shaft capacity.

RS2875.276 HELICAL PILE AND ANCHOR PRODUCT SPECIFICATIONS				
SHAFT	Hot Rolled HSS 2-1/2 inch Nominal Schedule 80 (0.276 inch nominal wall) per ASTM A500 Grade B/C with 50 ksi minimum yield strength			
Shaft Size, OD	2.875 in	73 mm	Corroded	
			2.862 in	72.7 mm
Shaft Size, ID*	2.36 in	60 mm	Corroded	
			2.375 in	60.3 mm
Moment of Inertia (I)*	1.83 in ⁴	76.2 cm ⁴	Corroded	
			1.733 in ⁴	72.1 cm ⁴
Shaft Area (A)*	2.11 in ²	13.6 cm ²	Corroded	
			2.0 in ²	12.9 cm ²
Section Modulus (S _{x-x})*	1.27 in ³	20.8 cm ³	Corroded	
			1.21 in ³	19.8 cm ³
Perimeter	9.0 in	22.8 cm	Corroded	
			8.99 in	22.8 cm
Coupling	Integral Forged Round Deep Socket Sleeve			
Coupling Bolts	Two 3/4 in Diameter SAE J429 Grade 5 Hex Head Bolts with Threads Excluded from Shear Planes			
Helix Plates	0.375 inch Thick, Formed on Matching Metal Dies, ASTM A656 Grade 80 or better			
Coatings	Hot Dip Galvanized per ASTM A153 Class B-1, 3.1 mil minimum thickness or Bare Steel			
TORQUE PROPERTIES				
Torque Correlation Factor	9 ft ⁻¹		30 m ⁻¹	
Torque Rating	8,000 ft-lb		10,846 N-m	
STRUCTURAL CAPACITY				
Tension Strength	Nominal		LRFD Design	
	90 kip	400 kN	67.5 kip	300 kN
Allowable Tension Strength	45 kip		200 kN	
TORQUE CORRELATED CAPACITY				
Capacity Limit Based on Torque Correlation, Tension / Compression	Ultimate		Allowable	
	72 kip	320 kN	36 kip	160 kN

* computed with 93% of wall thickness per AISC 360-10, B4.2



Assembly of RS2875.276
Figure 7-18

ASD Allowable Compression Strengths of CHANCE® Type RS2875.276 Helical Pile Lead & Extension Sections^{1,2}

Section Type & Helix Count	ASD Allowable Axial Compression Strength kips (kN)			
	Firm Soil		Soft Soil	
	Fixed	Pinned	Fixed	Pinned
Lead, Single Helix	For Single 8" – 55.6 (247.3)	For Single 8" – 51.7 (230.0)	44.3 (197.1)	33.0 (146.8)
	See Helix Strength Table Above for 10", 12" & 14"	See Helix Strength Table Above for 10", 12" & 14"	See Helix Strength Table Above for 12" & 14"	For Single 14" – 26.9
Lead, 2-Helix 8"-10"	55.6 (247.3)	51.7 (230.0)	44.3 (197.1)	33.0 (146.8)
Lead, 2-Helix 10"-12"				
Lead, 2-Helix 12"-14"				
Lead, 2-Helix 14"-14"				
Lead, Multi-Helix	55.6 (247.3)	51.7 (230.0)	44.3 (197.1)	33.0 (146.8)
Extension	55.6 (247.3)	51.7 (230.0)	44.3 (197.1)	33.0 (146.8)

For SI: 1 kip = 4.448 kN.

¹ Refer to Section 4.1.3 of ESR-2794 for descriptions of fixed condition, pinned condition, soft soil and firm soil.

² Strength ratings are based on a design corrosion level of 50-years and presume the supported structure is braced in accordance with IBC Section 1808.2.5, and the lead section with which the extension is used will provide sufficient helix capacity to develop the full shaft capacity.